

When you consider performance, reliability and cost of ownership, the PULSAtron Series M is the value leader in its category.

Pulsafeeder continues to lead the way with a tradition of quality. Product contamination and leakage are eliminated by our mechanically actuated diaphragm design. Check valves are easily replaced as a unit to save time. A stroke lock mechanism maintains the accuracy of the stroke setting. The pump mechanism is housed in a greased, sealed housing for virtually “wear-free” operation. The PULSAtron Series M is built to handle a variety of service requirements in industrial power generation, water treatment and pulp and paper applications.

Features

- Pressures to 305 psi (21.0bar), Flows to 76.4 gph (289.0 lph)
- Accuracy +/- 2%
- Motor adapters accept both NEMA and IEC motor frame sizes.
- Enclosure rating: NEMA 4/IP55
- Manual Stroke Length Adjustment with mechanical locking device
- Lubrication: Greased for Life
- Each pump is tested to insure capacity and pressure.

Controls



Detachable Keypad

Turndown of 1000:1

Display in four languages

- English
- Spanish
- French
- German

Displays pump output in units of flow (gph or lph)

Operating Benefits

- Reliable metering performance.
- Affordable.
- Ease of use and maintenance.



Aftermarket

- KOPkits
- Gauges
- Dampeners
- Pressure Relief Valves
- Tanks
- Pre-Engineered Systems
- Process Controllers (PULSAblue, MicroVision)



PULSAtron® Series M

Specifications and Model Selection

TESTED AND PROVEN LIQUID END MATERIALS			
Wet-end materials include PVC, PVDF and 316SS heads and fittings for best chemical compatibility at pressures up to 305 PSIG (21 bar).			
LIQUID END CONSTRUCTION			
Head	Ball	Seat	Gasket
PVC	Ceramic, Alloy C	PVC	PTFE
PVDF	Alloy C	PVDF	PTFE
316SS	316SS, Alloy C	316SS, 020SS	PTFE

Engineering Data

Materials of Construction:

Housing: Cast Iron
Diaphragm: PTFE faced CSPE
Liquid End Options: PVC

PVDF
 316SS
 16SS

Control Type: MPC w/ Flow Indicator (NEMA 4X), IP56
 MPC less Flow Indicator
 DLC- Digital Logic Controller
 DLCM- Motor Speed Controller

Configuration: Simplex
 Duplex (Driver)
 Duplex (Driven)
 Simplex w/ MPC

Motor Frame Adaptor: 56C
 143 TC or 145 TC
 63
 71
 80

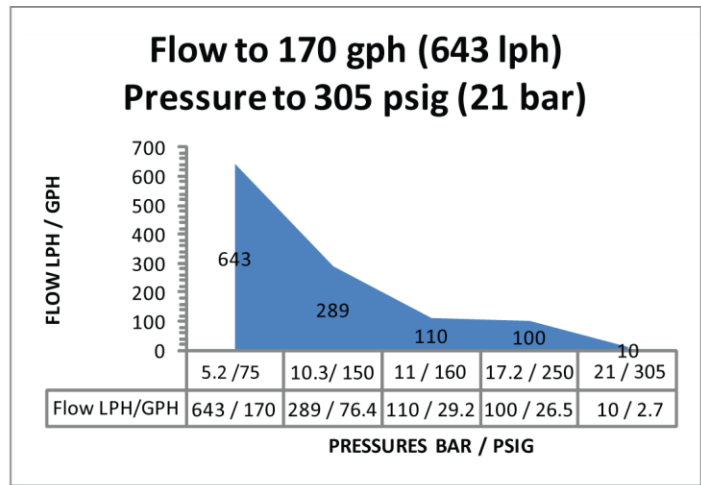
Connection Types: No Gearbox/ Motor Adaptor
 Threaded: NPT or BSPT
 Flanged: ANSI or DIN Flanges

Important: Material Code - PVC=Polyvinyl Chloride, PE=Polyethylene, PVDF=Polyvinylidene Fluoride, CSPE=Generic formulation of Hypalon, a registered trademark of E.I. DuPont Company.

Dimensions

M Series Dimensions (inches)				
	L	H	W	Shipping Weight
Inches	14.5	21.368	9.81	44 Lbs
Centimeters	36.8	54.35	24.92	20 Kgs

NOTE: Inches X 2.54 = cm



Engineering Data

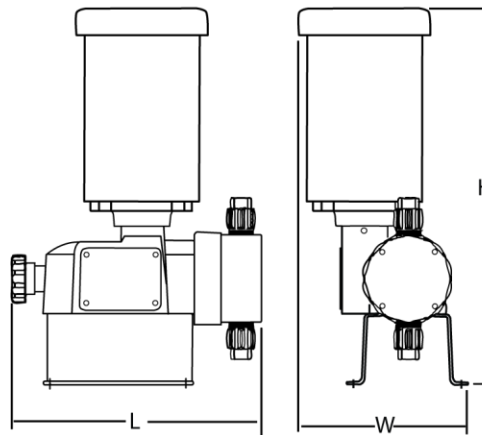
Reproducibility: +/- 2% at maximum capacity
Viscosity Max CPS: 3000 CPS
Stroke Frequency Max SPM: 178
Motor Speed and Voltage: 1725 RPM, 115/230V, 60Hz, 1phase
 1425 RPM, 110/220V, 50Hz
Ambient Temperature Range: 0°F to 104°F (-18°C to 40°C)

Tank Systems



Tank Systems

Tank Systems are a rugged line of tanks designed to fit most solution handling needs. All tanks are constructed of high density polyethylene (PE) and come in a variety of sizes. An available stand option provides a Stainless Steel tripod stand with pump mounting shelf for all tank sizes on the Light and Heavy Duty Tanks.



pulsafeeder.com



27101 Airport Rd
 Punta Gorda, FL 33982
 Phone: ++1(941) 575-3800
 Fax: ++1(941) 575-4085

An ISO 9001 and ISO 14001 Certified Company



TSM001 E11